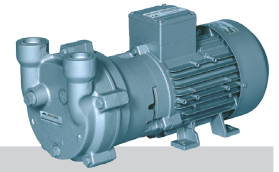


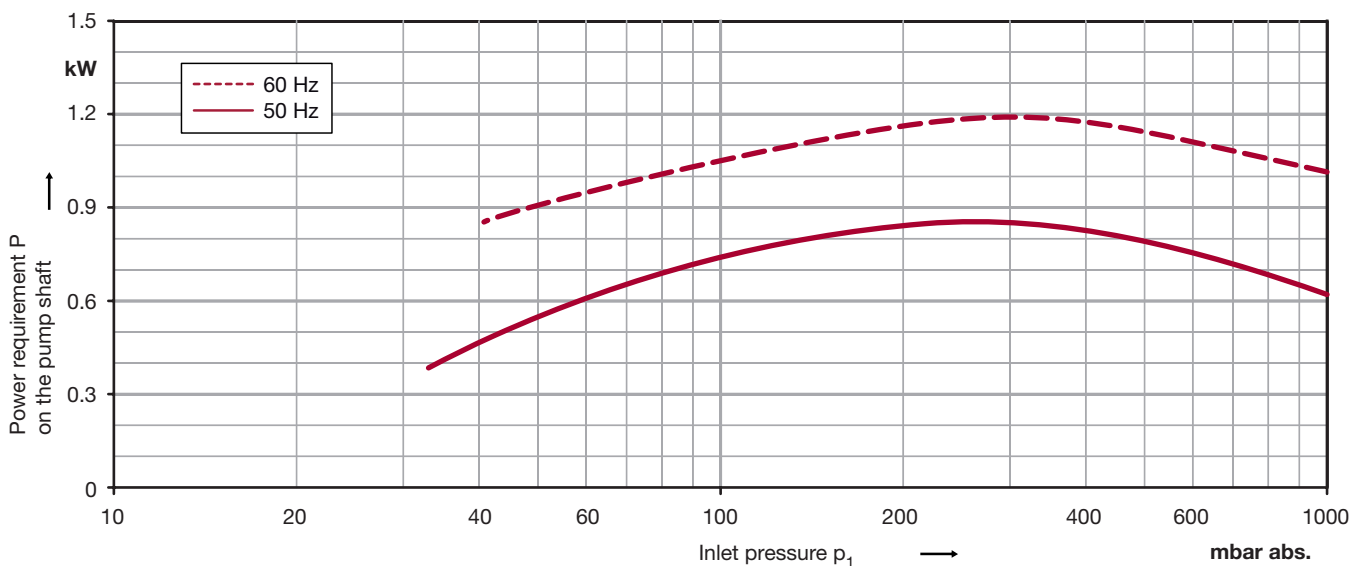
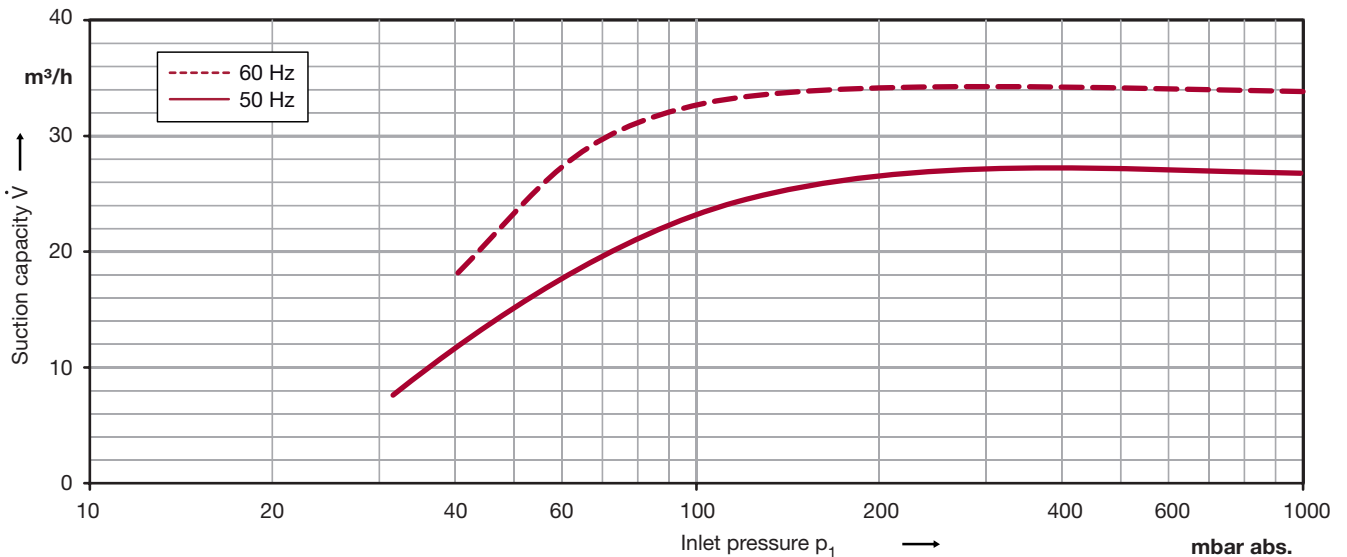
Data sheet liquidring pump

Series L-BV2

Range 2BV2 060 Vacuum pump ATEX



Performance curves for vacuum operation



Vacuum pumps of the L-BV2 range are suitable for evacuating gases and wet vapours down to inlet pressures of 33 mbar abs. (97% vacuum). All these vacuum pumps are equipped with built-in cavitation protection. For operation below 80 mbar abs. the cavitation protection should be connected to protect the vacuum pump. All pumps L-BV2 are especially space-saving in their monoblock design. They are available in cast iron (standard color RAL 9006). The motor is painted as standard in RAL 9006.

The motors are supplied as standard for the input voltage ranges of 50 and 60 Hz and for the protection category IP55 as well as approved for UL and CSA. Vacuum pumps with ATEX 94/9 EG for category 2G are available, too. The characteristics are valid for the inlet of air with a relative humidity of 100 % and a temperature of 20 °C, compression to 1013 mbar abs. and water at 15 °C as operating liquid. The tolerance is ± 10 %.

Selection and ordering data

Materials Casing/port plate/impeller	Motor data						Ser-vice-factor SF	Order-No.	Quantity of operating liquid m³/h	Sound pressure level ** dB(A)	Weight approx. kg
	Fre-quency Hz	Rated									
		voltage V	current A	output kW							
3- 50/60 Hz version, protection class IP 55, insulation class F											
cast iron/ceramic/bronze	50 60	230 Δ	400 Y	4.33	2.5	1.1	1.0	2BV2060-0ND01-1S-Z Z=F91	0.2	62	20
cast iron/ceramic/bronze	50 60	500 Δ	-	2.0		1.1	1.0	2BV2060-0ND01-5S-Z Z=F91	0.2	62	20

The motors are designed according to DIN EN 60 034 / DIN IEC 34-1 and temperature class F.
For the three phase machines the tolerances are ± 10 % for fixed voltage .
The frequency tolerance is maximum ± 2 %.

All L-BV2 achieve the standards and norms of the low voltage directive 72/23/EWG, rotating electrotechnical motor EN 60034-1-34, electromagnetic compatibility (EMC) DIN EN 61000-0/-6/-4.

** Measuring-surface sound-pressure level acc. to DIN EN 21680, measured at a distance of 1 m at medium inlet pressure and with connected pipes.

*** The quantities of operating liquid apply for fresh water operation without discharge liquid separator.

For partial recirculation operation the quantity of the fresh applied refrigerant can be reduced by circulation of the operating liquid in a circuit (with discharge liquid separator and internal recirculation of the operating liquid, available as accessories).

An inlet pressure of 10 mbar abs. can be achieved by connecting a gas ejector (see accessories). The gas ejector can be mounted directly onto the vacuum pump.

Other voltages

2BV2 060-...□...□S			
50 Hz	60 Hz		
3-			
185...220 V Δ / 320...380 V Y	200...254 V Δ / 345...440 V Y		H 0
220...240 V Δ / 345...415 V Y	220...275 V Δ / 380...480 V Y		H 8
345...415 V Δ	380...480 V Δ		H 7
500 V Δ	575 V Δ		H 5
3- ATEX Category 2G			
230 V Δ / 400 V Y	-		D 1
400 V Δ / 690 V Y	-		D 6
500 V Δ	-		D 5

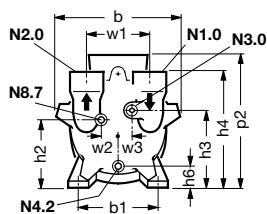
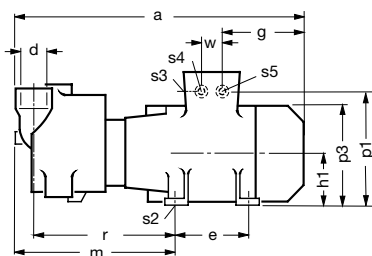
Quantity of Operating Liquid

Frequency	for fresh water operation / partial recirculation Inlet pressure p (abs.) ***		
	< 200 mbar	200 - 500 mbar	> 500 mbar
Hz	m³/h	m³/h	m³/h
50	0.2/0.12	0.2/0.12	0.2/0.12
60	0.2/0.12	0.2/0.12	0.2/0.12

Max. add. water carry-over or permissible back pressure

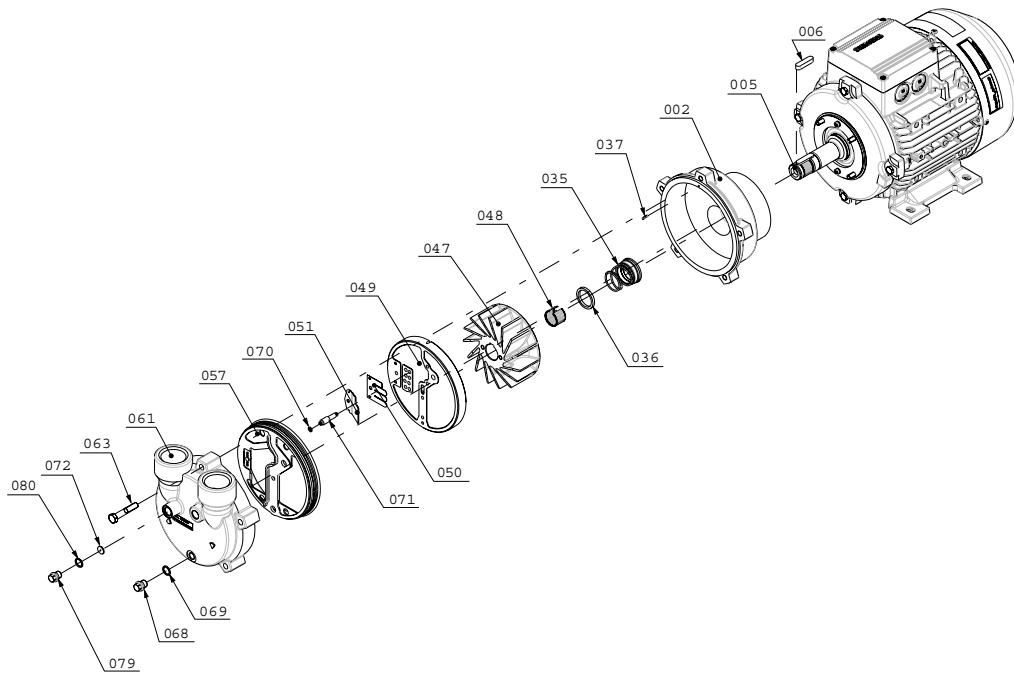
Frequency	max. additional water carry-over	max. permissible back pressure
Hz	m³/h	mbar abs.
50	0.5	1200
60	0.5	1200

Dimensions



N1.0 Inlet flange
N2.0 Pressure flange
N3.0 Connection operating liquid
N4.2 Drain
N8.7 Cavitation protection

2BV2 060-...1-..	a	b	b1	e	g	h1	h2	h3	h4	h6	m	p1	p2	p3	r
[mm]	402	185	125	100	152	80	107	115	184	27	221	177	200	161	194
	s2	s3/s4		s5		w	w1	w2	w3	d (N1.0, N2.0)	N3.0	N4.2	N8.7		
	9.5	M25 x 1.5		M16 x 1.5		32	110	25.5	21	G1 x 20	G¾ x 12	G¼ x 12	G¾ x 12		



Materials of construction

Part-Nr.	Designation	Material
002	Casing	Grey cast iron (EN-GJL HB 195 / EN-JL2030) EN 1561
005	Pump shaft	Chrome steel (X20Cr13 / 1.4021) EN 10088 - 3
006	Feather key	Chrome-nickel-molybdenum steel (X6CrNiMoTi 17-12-2 / 1.4571) EN 10088 - 3
035	Mechanical seal	Carbon / Ceramic / Viton (FPM) / Chrome-nickel steel
036	Washer	Chrome-nickel steel (X10CrNiS 18-9 / 1.4305) EN 10088 - 3
037	Set screw	Chrome-nickel-molybdenum steel (X5CrNiMo 17-12-2 / 1.4401) EN 10088 - 2
047	Impeller	Cast aluminium bronze (G-CuAl10Fe5Ni5 / CC33G-GS) EN 1982
048	Tolerancing for impeller	Chrome-nickel steel (X12CrNi 17-7 / 1.4310) EN 10088 - 2
049	Port plate	Ceramic - C221 EN 60672 - 1
050	Valve plate	Teflon (PTFE)
051	Intercepting plate	Chrome-nickel-molybdenum steel (X10CrNiMoTi 18-10 / 1.4571) EN 10088 - 2
057	Gasket for cover	Nitrile-butadiene-caotchouc (NBR)
061	Cover	Grey cast iron (EN-GJL HB 195 / EN-JL2030) EN1561
063	Screw	Steel (DIN ISO 8992)
068	Plug screw	Machining steel, lead alloyed (11SMnPb30 / 1.0718) EN 10087
069	Sealing ring	Teflon (PTFE)
070	O-Ring	FPM (flour rubber)
071	Pipe of cavitation protection	Chrome-nickel-molybdenum steel (X10CrNiMoTi 18-10 / 1.4571) EN 10088 - 3
072	Washer for cavitation protection	Chrome-nickel steel (X5CrNi 18-10 / 1.4301) EN 10088 - 3
079	Plug screw	Machining steel, lead alloyed (11SMnPb30 / 1.0718) EN 10087
080	Sealing ring	Teflon (PTFE)



Changes in particular the quoted performance curve, datas and weights without prior notice. The figures are without obligations.

Gardner Denver

*Elmo Rietschle is a brand of the
Gardner Denver Blower Division*

info@de.gardnerdenver.com
www.gd-elmorietschle.com

Gardner Denver Schopfheim GmbH

Roggenbachstraße 58
79650 Schopfheim - Germany

Tel.: +49 7622 392-0
Fax: +49 7622 392-300

Gardner Denver Deutschland GmbH

Industriestraße 26
97616 Bad Neustadt - Germany

Tel.: +49 9771 6888-0
Fax: +49 9771 6888-4000