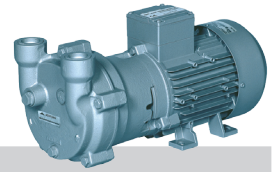
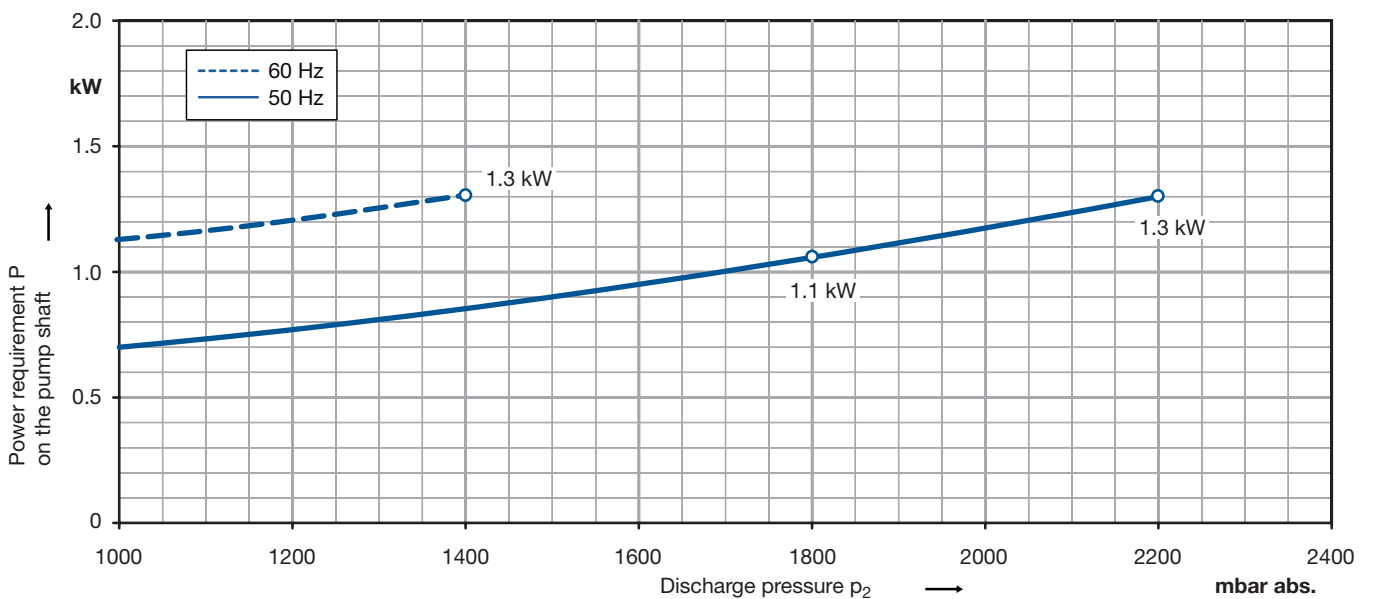
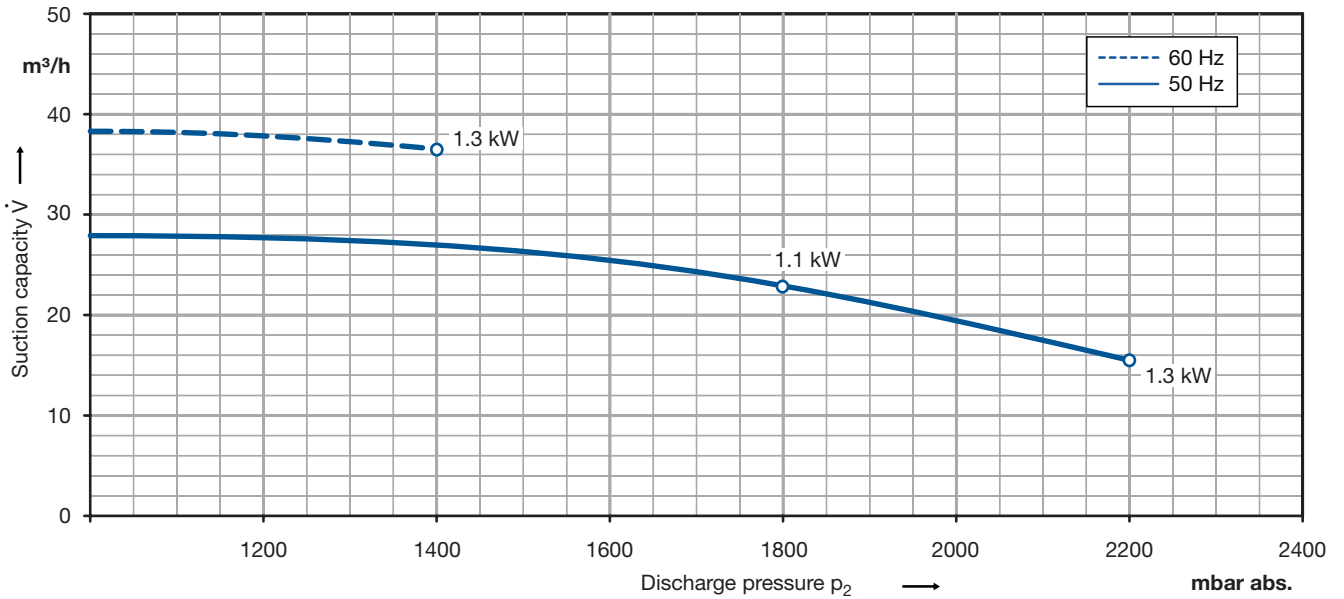


# Data sheet liquidring pump

Series L-BV2 | L\_200  
Range 2BV2 060 Compressor ATEX



## Performance curves for compressor operation



The characteristics are valid for the inlet of air with a relative humidity of 50 % and a temperature of 20 °C at a atmospheric pressure of 1013 mbar abs. and water at 15 °C as operating liquid.  
The tolerance is ± 10 %.

The motors are supplied as standard for the input voltage ranges of 50 and 60 Hz and for the protection category IP55 as well as approbated for UL and CSA. Compressors with ATEX 94/9 EG for category 2G are available, too.

## Selection and ordering data

Materials	Motor data						Order-No.	Quantity of operating liquid	Sound pressure level **	Weight approx.
	Rated									
	voltage		current	output						
Casing/port plate/impeller	V		A	kW			m³/h	dB(A)	kg	
<b>ATEX 3- 50 Hz version, protection class IP 55, insulation class F</b>										
cast iron/ceramic/bronze	230Δ	400Y	4.33	2.5	1.1		2BV2060-8ND01-1S-Z Z=F91	0.2	66	20
cast iron/ceramic/bronze	500Δ		2.0		1.1		2BV2060-8ND01-5S-Z Z=F91	0.2	66	20
cast iron/ceramic/bronze	230Δ	400Y	5.0	2.9	1.3		2BV2060-8ND02-1S-Z Z=F91	0.2	67	23
cast iron/ceramic/bronze	500Δ		2.32		1.3		2BV2060-8ND02-5S-Z Z=F91	0.2	67	23
<b>ATEX 3- 60 Hz version, protection class IP 55, insulation class F</b>										
cast iron/ceramic/bronze		460Y		2.52	1.3		2BV2060-8NG02-1S-Z Z=F91	0.2	69	23

The motors are designed according to DIN EN 60 034 / DIN IEC 34-1 and temperature class F. For the three phase machines the tolerances are ± 10 % for fixed voltage and ± 5 % for voltage range.

All L-BV2 achieve the standards and norms of the low voltage directive 72/23/EWG, rotating electrotechnical motor EN 60034-1-34, electromagnetic compatibility (EMC) DIN EN 61000-0/-6/-4.

\*\* Measuring-surface sound-pressure level acc. to DIN EN 21680, measured at a distance of 1 m at medium inlet pressure and with connected pipes.

\*\*\* The quantities of operating liquid apply for fresh water operation without discharge liquid separator.

For partial recirculation operation the quantity of the fresh applied refrigerant can be reduced by circulation of the operating liquid in a circuit (with discharge liquid separator and internal recirculation of the operating liquid, available as accessories).

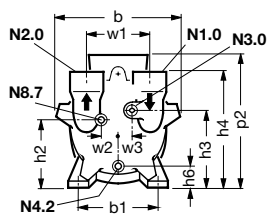
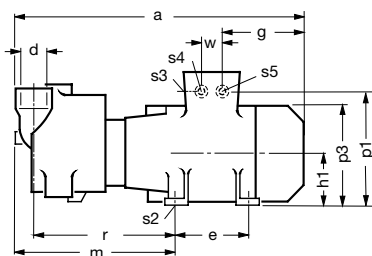
## Other voltages

		2BV72 060-... □ - □ □ S	
50 Hz	60 Hz		
<b>3- ATEX Category 2G</b>			
230 V Δ / 400 V Y	-	D	1
400 V Δ / 690 V Y	-	D	6
500 V Δ	-	D	5
-	460 V Δ	G	6
-	460 V Y	G	1
-	575 V Δ	G	5

## Quantity of Operating Liquid

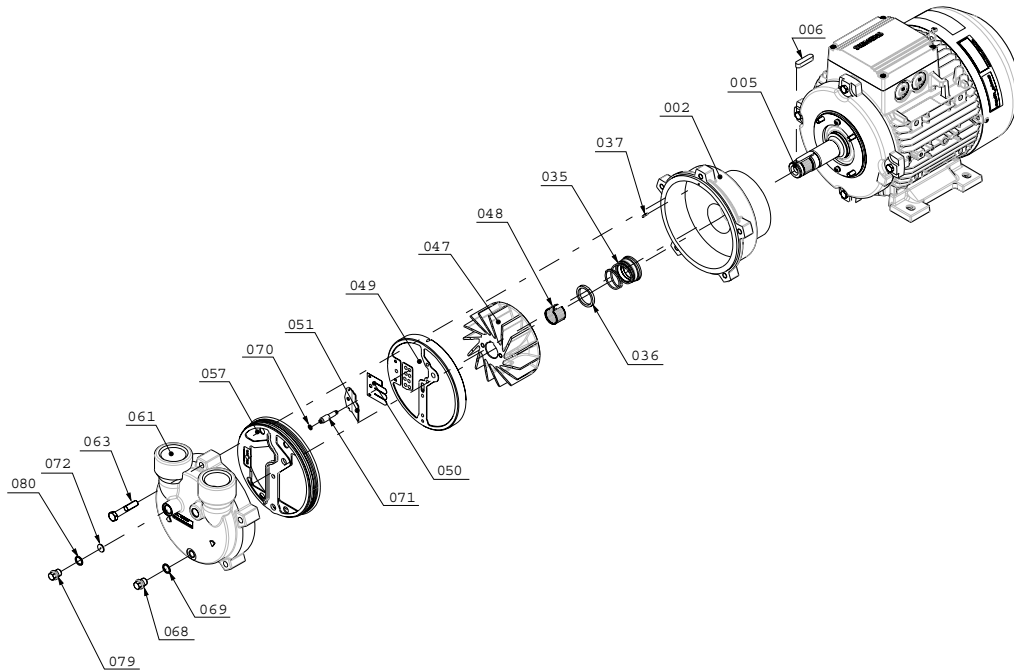
Frequency	for fresh water operation at Inlet pressure ***
Hz	m³/h
50	0.2
60	0.2

## Dimensions



N1.0 Inlet flange  
 N2.0 Pressure flange  
 N3.0 Connection operating liquid  
 N4.2 Drain  
 N8.7 Cavitation protection

[mm]	a	b	b1	e	g	h1	h2	h3	h4	h6	m	p1	p2	p3	r
2BV2 060-....1-..	402	185	125	100	152	80	107	115	184	27	221	177	200	161	194
2BV2 060-....2-..	457	185	140	100	184	90	117	125	194	37	234	193	216	180	207
	s2	s3/s4	s5	w	w1	w2	w3	d (N1.0, N2.0)	N3.0	N4.2	N8.7				
2BV2 060-....1-..	9.5	M25 x 1.5	M16 x 1.5	32	110	25	21	G1 x 20	G¾ x 12	G¼ x 12	G¾ x 12				
2BV2 060-....2-..	10	M25 x 1.5	M16 x 1.5	32	110	25	21	G1 x 20	G¾ x 12	G¼ x 12	G¾ x 12				



**Materials of construction**

Part-Nr.	Designation	Material
002	Casing	Grey cast iron (EN-GJL HB 195 / EN-JL2030) EN 1561
005	Pump shaft	Chrome steel (X20Cr13 / 1.4021) EN 10088 - 3
006	Feather key	Chrome-nickel-molybdenum steel (X6CrNiMoTi 17-12-2 / 1.4571) EN 10088 - 3
035	Mechanical seal	Carbon / Ceramic / Viton (FPM) / Chrome-nickel steel
036	Washer	Chrome-nickel steel (X10CrNiS 18-9 / 1.4305) EN 10088 - 3
037	Set screw	Chrome-nickel-molybdenum steel (X5CrNiMo 17-12-2 / 1.4401) EN 10088 - 2
047	Impeller	Cast aluminium bronze (G-CuAl10Fe5Ni5 / CC33G-GS) EN 1982
048	Tolerancing for impeller	Chrome-nickel steel (X12CrNi 17-7 / 1.4310) EN 10088 - 2
049	Port plate	Ceramic - C221 EN 60672 - 1
050	Valve plate	Teflon (PTFE)
051	Intercepting plate	Chrome-nickel-molybdenum steel (X10CrNiMoTi 18-10 / 1.4571) EN 10088 - 2
057	Gasket for cover	Nitrile-butadiene-caotchouc (NBR)
061	Cover	Grey cast iron (EN-GJL HB 195 / EN-JL2030) EN1561
063	Screw	Steel (DIN ISO 8992)
068	Plug screw	Machining steel, lead alloyed (11SMnPb30 / 1.0718) EN 10087
069	Sealing ring	Teflon (PTFE)
070	O-Ring	FPM (flour rubber)
071	Pipe of cavitation protection	Chrome-nickel-molybdenum steel (X10CrNiMoTi 18-10 / 1.4571) EN 10088 - 3
072	Washer for cavitation protection	Chrome-nickel steel (X5CrNi 18-10 / 1.4301) EN 10088 - 3
079	Plug screw	Machining steel, lead alloyed (11SMnPb30 / 1.0718) EN 10087
080	Sealing ring	Teflon (PTFE)



Changes in particular the quoted performance curve, datas and weights without prior notice. The figures are without obligations.

---

## **Gardner Denver**

*Elmo Rietschle is a brand of the  
Gardner Denver Blower Division*

info@de.gardnerdenver.com  
www.gd-elmorietschle.com

### **Gardner Denver Schopfheim GmbH**

Roggenbachstraße 58  
79650 Schopfheim - Germany

Tel.: +49 7622 392-0  
Fax: +49 7622 392-300

### **Gardner Denver Deutschland GmbH**

Industriestraße 26  
97616 Bad Neustadt - Germany

Tel.: +49 9771 6888-0  
Fax: +49 9771 6888-4000