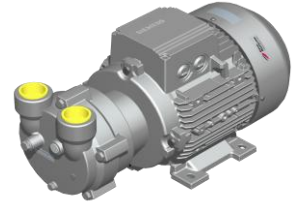


# L-BV

## Data sheet 2BV7 070

### Liquid ring compressor



#### General information

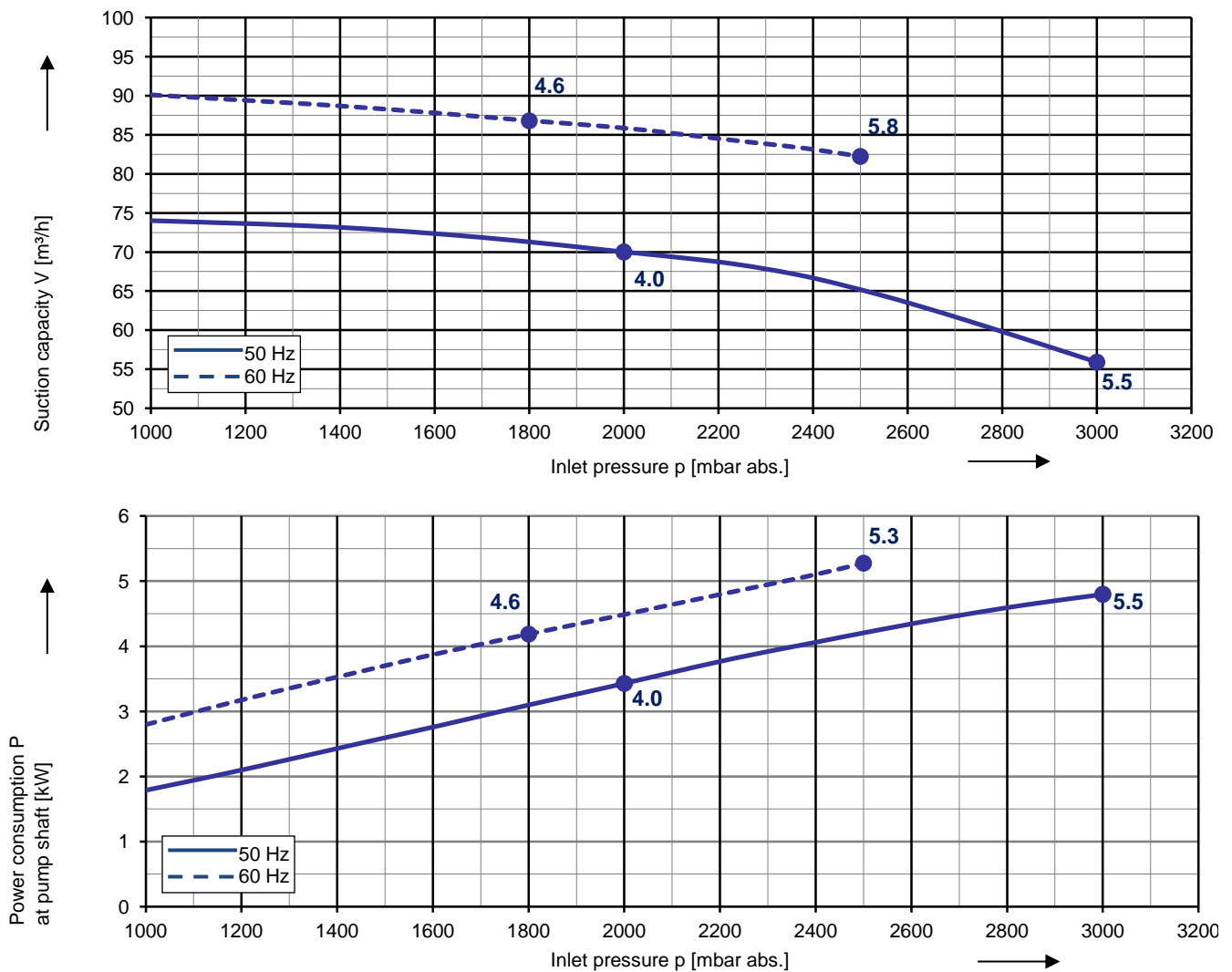
Elmo Rietschle compressors of the model range L-BV7 are suitable for compressing gases and wet vapours.

Our pumps have stainless steel shafts which makes them corrosion resistant. They work safely and reliably even under extreme conditions, like those in humid processes.



#### Performance curves

##### Compressor operation



The characteristic curves are based on the evacuation of 100 % saturated air and an intake temperature of 20 °C. At a suction pressure of 1013 mbar abs. and a temperature of the operating liquid of 15 °C (water as operating liquid) the characteristic curves will be achieved. The tolerance is  $\pm 10\%$ .

The motors are supplied as standard for the input voltage ranges of 50 and 60 Hz and for the protection category IP55 as well as approved for UL and CSA.

## Selection and ordering data <sup>3)</sup>

Typ 2BV7 070								
Fre- quency	Rated			Service factor	Operation liquid quantity <sup>1)</sup>	Sound pressure level <sup>2)</sup>	Weight Approx.	Order No.
	Voltage	Current	Power					
Hz	V	A	kW	SF	m <sup>3</sup> /h	dB(A)	kg	
<b>3- 50/60 Hz, IP55, Insulation material class F, UL 507 and CSA 22.2 No 113 (certificate number E225239)</b>								
50	200 - 240 Δ / 345 - 415 Y	16.6 Δ / 9.6 Y	4.20	1.00	0.40	68	35	2BV7070-2 □ H08-4S
60	200 - 275 Δ / 345 - 480 Y	16.6 Δ / 9.6 Y	4.50	1.00	0.28	74		
50	200 - 240 Δ / 345 - 415 Y	9.6 Δ	4.20	1.00	0.40	68	35	2BV7070-2 □ H08-7S
60	200 - 275 Δ / 345 - 480 Y	9.6 Δ	4.70	1.00	0.28	74		
50	200 - 240 Δ / 345 - 415 Y	23.9 Δ / 13.8 Y	5.50	1.00	0.40	68	48	2BV7070-3 □ H08-4S
60	200 - 275 Δ / 345 - 480 Y	23.0 Δ / 13.3 Y	5.75	1.00	0.28	74		
50	200 - 240 Δ / 345 - 415 Y	12.0 Δ	5.50	1.00	0.40	68	48	2BV7070-3 □ H08-7S
60	200 - 275 Δ / 345 - 480 Y	12.0 Δ	6.30	1.00	0.28	74		
<b>3- 50/60 Hz, IP55, Insulation material class F, UL 507 and CSA 22.2 No 113 (certificate number E225239)</b>								
50	500 Δ	7.5 Δ	4.20	1.00	0.40	68	35	2BV7070-2 □ C08-5S
60	575 Δ	7.5 Δ	4.50	1.00	0.28	74		
50	500 Δ	9.8 Δ	5.50	1.00	0.40	68	48	2BV7070-3 □ C08-5S
60	575 Δ	9.6 Δ	6.30	1.00	0.28	74		

Materials			
Casing	Port plate	Impeller	Lantern
CrNi steel	CrNi steel	Bronze	Cast iron

- The quantities of operating liquid apply for fresh water operation without discharge liquid separator.
- Measuring surface sound pressure level acc. to EN ISO 3744, measured with an equivalent unit at a distance of 1 m. The pump is throttled to an average suction pressure, with piping connected, but no relief valves fitted, tolerance ±3 dB (A).
- High efficiency motors (IE2) available on request. Please refer to corresponding data sheets.

## Other voltages

Voltage range		Fixed voltage		c FL <sub>IE</sub>			
50 Hz	60 Hz	50 Hz	60 Hz	60 Hz	2BV7 070-.. □ .. □ S		
				Δ	V		
<b>3 Phase</b>							
185 - 220 V Δ / 320 - 380 V Y	200 - 254 V Δ / 345 - 440 V Y			• •		H	0
200 - 240 V Δ / 345 - 415 V Y	220 - 275 V Δ / 380 - 480 V Y			• •		H	8
345 - 415 V Δ / 600 - 720 V Y	380 - 480 V Δ / 660 - 720 V Y			•		H	7
500 V Δ	575 V Δ			•		H	5
<b>3 Phase</b>							
				<b>IE2 3 Phase</b>			
180 - 240 V Δ / 310 - 415 V Y	200 - 275 V Δ / 345 - 480 V Y	200 V Δ / 345 V Y	230 V Δ / 400 V Y	• •		P	1
450 - 550 V Δ	520 - 600 V Δ	500 V Δ	575 V Δ	•		P	5
200 - 260 V Δ / 350 - 450 V Y	230 - 290 V Δ / 400 - 500 V Y	230 V Δ / 400 V Y	265 V Δ / 460 V Y	• •		P	6
350 - 450 V Δ / 610 - 725 V Y	400 - 500 V Δ / 690 - 725 V Y	400 V Δ / 690 V Y	460 V Δ	•		P	7

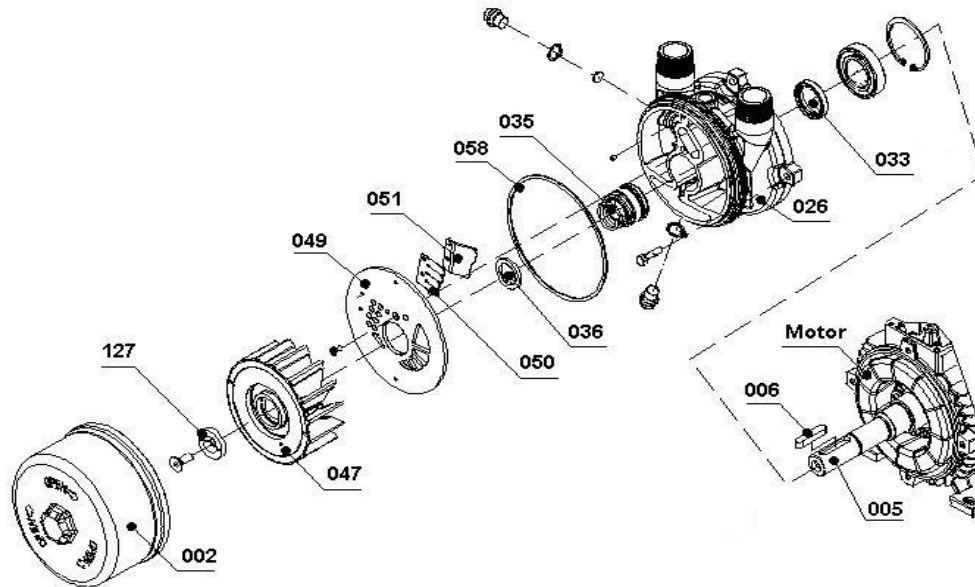
All L-BV fulfil the 2006/42/EC (machinery) and 2006/95/EC (low voltage) directives and the EN 60034-1 norm "Rotating electrical machines". The motors comply with EN 60 034-1 / -2 / -30 (IEC 60034) and thermal class F. For three phase motors tolerances are +/-10% for fixed voltage motors and +/-5% for voltage range motors. Single phase machines are designed with a +/-5% tolerance. The frequency tolerance is +/- 2 % maximum.

## Operation liquid quantity for 50 Hz / 60 Hz [m<sup>3</sup>/h]

p1	Fresh water		Partial recirculation	
	15 °C		8 °C	10 °C
mbar abs.			10 °C	12 °C
> 500	0.12 / 0.12		0.08 / 0.09	0.09 / 0.1
200 - 500	0.12 / 0.15		0.08 / 0.11	0.09 / 0.12
< 200	0.28 / 0.34		0.14 / 0.19	0.17 / 0.21

For partial recirculation operation the quantity of the fresh applied refrigerant can be reduced by circulation of the operating liquid in a circuit (with discharge liquid separator and internal recirculation of the operating liquid, available as accessories). Complete circuit systems L-SV available on request.

The machines are available with a pump body in stainless steel.  
All external stainless steel parts are pickled and passivated and all non-stainless steel parts are painted in standard color RAL 9006.



Part No.		Materials
		CrNi steel / bronze / cast iron
002	Casing	Chrome-nickel steel (X5CrNi 1810 - / 1.4301) EN 10088 - 2
005	Pump shaft	Chrome-steel (X20Cr13 / 1.4021) EN 10088 - 3
006	Feather key	Chrome-nickel-molybdenum steel (X6CrNiMoTi 17-12-2 / 1.4571) EN 10088 - 3
026	Lantern	Grey cast iron (EN-GJL200 / EN-JL 2030) EN 1561
033	Radial shaft seal	Nitrile-butadiene-caotchouc (NBR) ISO 1629
035	Mechanical seal	SIC / Carbon / Viton (FPM) / chrome-nickel-molybdenum steel (EN 12756 - BQ1VGG)
036	Washer	Chrome-nickel-molybdenum steel (X5CrNiMo 17-12-2 / 1.4401) EN 10088 - 3
047	Impeller	Cast aluminium bronze (G-CuAl10Fe5Ni5 / CC33G-GS) EN 1982
049	Port plate	Chrome-nickel-molybdenum steel (X6CrNiMoTi 17-12-2 / 1.4571) EN 10088 - 3
050	Valve plate	Teflon(PTFE)
051	Intercepting plate	Chrome-nickel-molybdenum steel (X5CrNiMo 17-12-2 / 1.4401) EN 10088 - 2
058	Seal (O-Ring)	Nitrile-butadiene-caotchouc (NBR) ISO 1629
127	Retaining washer	Chrome-nickel-molybdenum steel (X6CrNiMoTi 17-12-2 / 1.4571) EN 10088 - 2

Changes in particular of the quoted performance curve, data and weights may occur without prior notice. The data given do not constitute an obligation from our side to deliver as shown.

Elmo Rietschle is a brand of Gardner Denver

## **Gardner Denver**

Your Ultimate Source for Vacuum and Pressure

**Gardner Denver Deutschland GmbH**

Industriestraße 26  
97616 Bad Neustadt - Germany

Tel.: +49 9771 6888-0

Fax: +49 9771 6888-4000

www.gd-elmoietschle.com • er.de@gardnerdenver.com

**Gardner Denver Schopfheim GmbH**

Roggenbachstraße 58  
79650 Schopfheim - Germany

Tel.: +49 7622 392-0

Fax: +49 7622 392-300